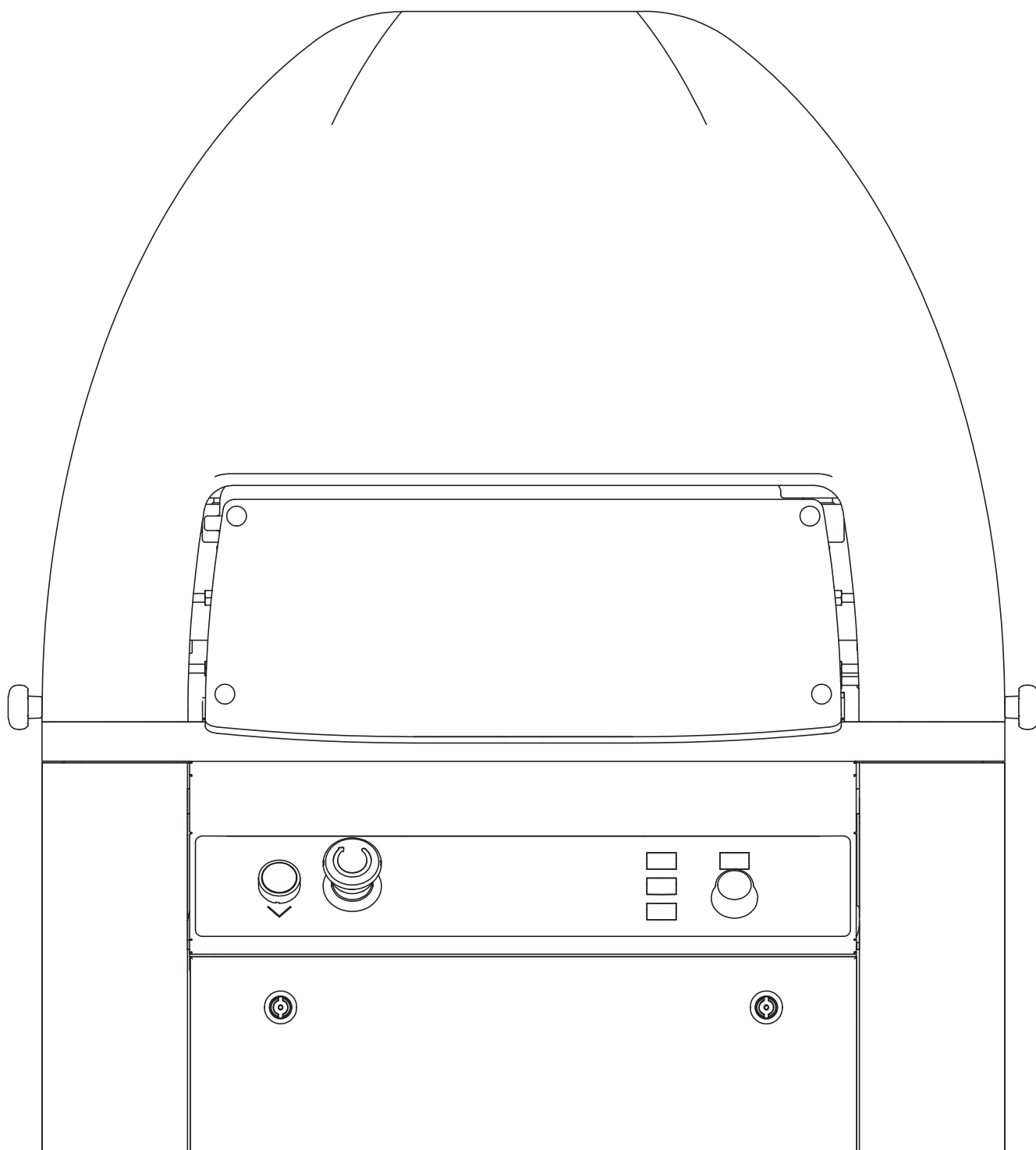


SPARE PARTS

---

# AUTOMATIC ROUNDERS

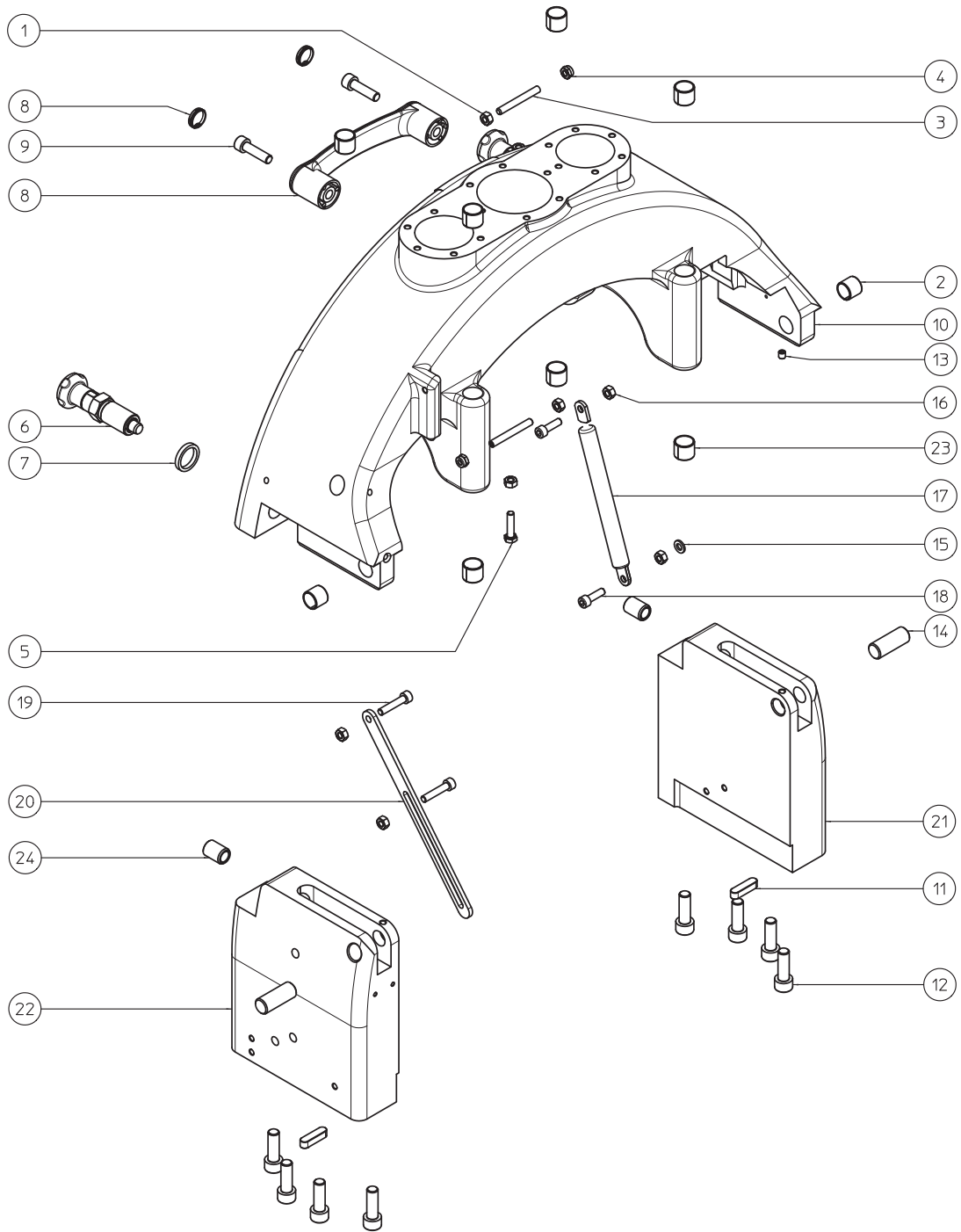
---





<b>4</b>	KNIFE SUPPORT GROUP	<b>20</b>	22 DIV. KNIFE GROUP
<b>6</b>	OPERATE RING GROUP	<b>21</b>	30 DIV. KNIFE GROUP
<b>7</b>	HEAD PLATE GROUP	<b>22</b>	15 DIV. KNIFE GROUP
<b>8</b>	FRAME GROUP	<b>23</b>	36 DIV. KNIFE GROUP
<b>9</b>	CASING GROUP	<b>24</b>	11 DIV. KNIFE GROUP
<b>10</b>	HEAD SAFTY GROUP	<b>25</b>	18 DIV. KNIFE GROUP
<b>11</b>	ROUNDING SAFTY GROUP	<b>26</b>	30s DIV. KNIFE GROUP
<b>12</b>	ROLLER SUPPORT GROUP	<b>27</b>	52 DIV. KNIFE GROUP
<b>13</b>	ROUNDING PLATE GROUP	<b>28</b>	HYDRAULIC GROUP
<b>14</b>	AUTOMATIC PULLEY GROUP	<b>30</b>	ELECTRICAL GROUP
<b>16</b>	SLIDING TROLLEY GROUP	<b>31</b>	ELECTRICAL BOX UL/CSA
<b>17</b>	MOTOR GROUP	<b>32</b>	ELECTRICAL BOX STANDARD
<b>18</b>	50 Hz PULLEY GROUP		
<b>19</b>	60 Hz PULLEY GROUP		

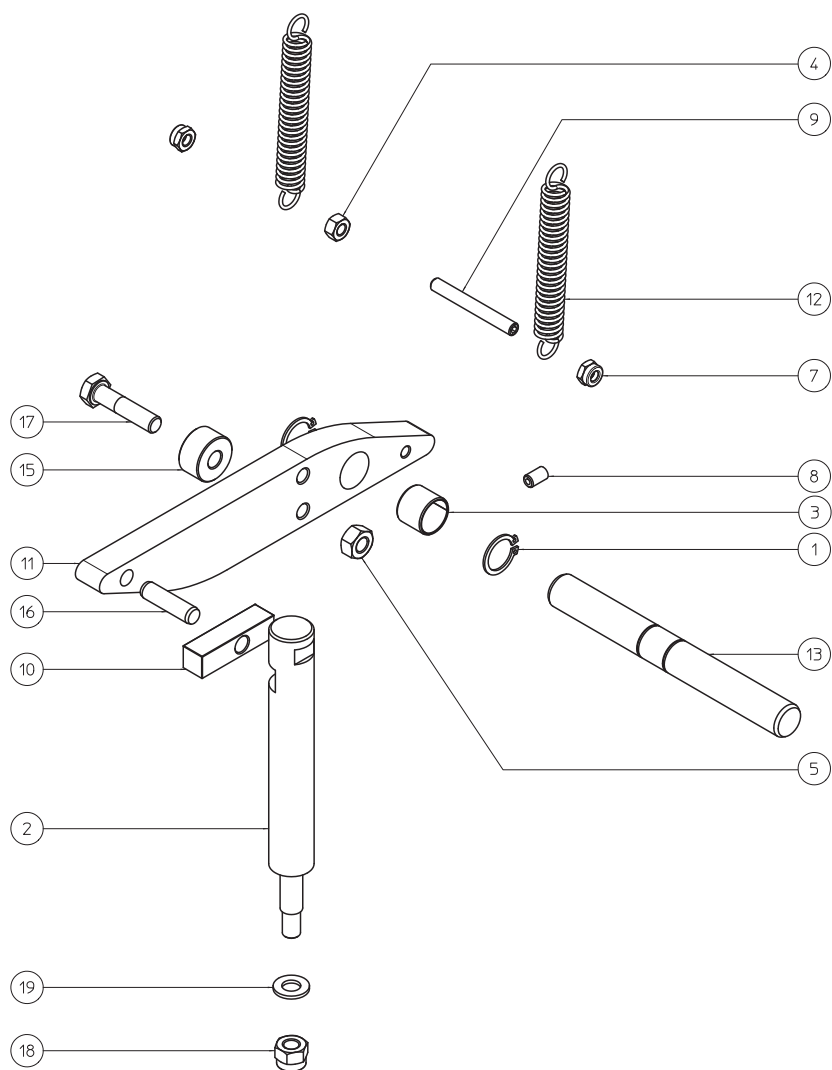
**KNIFE SUPPORT GROUP COD. SP000001**



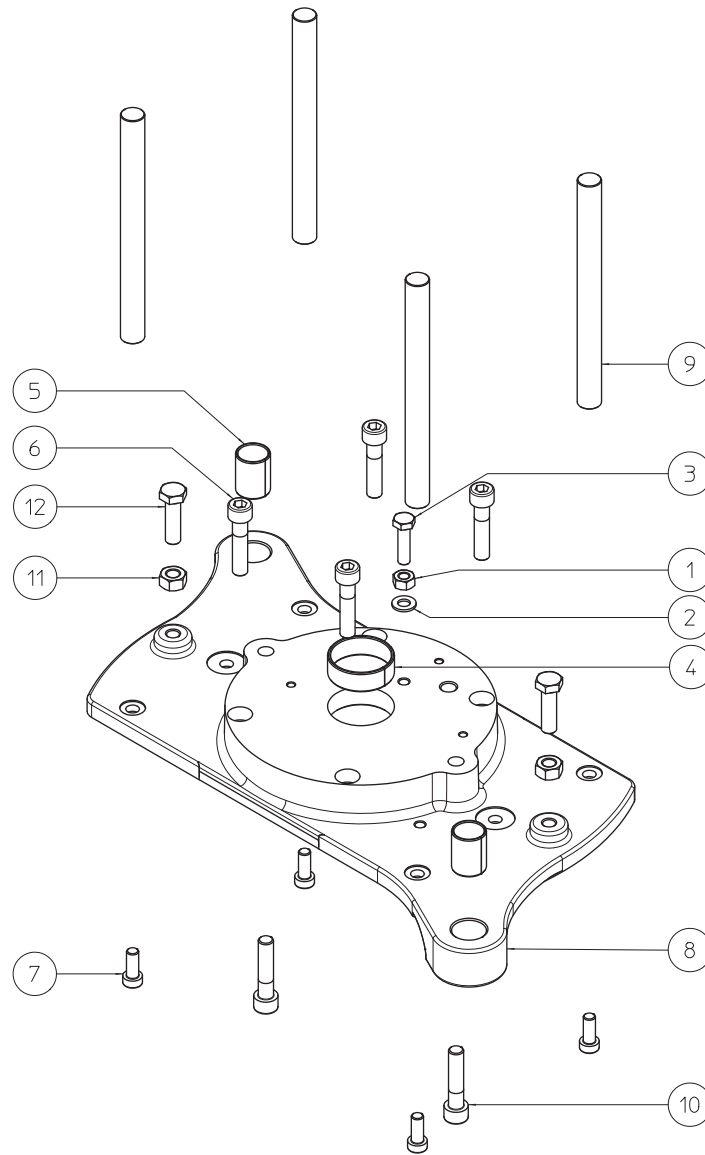


POSITION	QUANTITY	CODE	DESCRIPTION
1	4	30040601	NUT M6 INOX
2	2	18061515	LATCH INSERT KU 15 15
3	2	37050650	SCREW STEI 6X50 INOX
4	4	30100601	SELFLOCKING NUT M6 INOX.
5	2	69260625	SCREW TE M6X25 INIOX
6	2	43718110	KNOB WITH PUSHER M20X1,5
7	2	20100230	WASHER D.20 SP.4
8	1	43710005	HANDLE
9	2	69160830	SCREW TCEI M8X30 ZINC.
10	1	61900024	AUTOMATIC HEAD SUPPORT
11	2	22620830	KEY 8X7X30 mm
12	8	69161030	SCREW TCEI M10X30 ZINC.
13	2	37010606	SCREW STEI M6X6
14	2	11900006	HEAD PIN D.15X38
15	1	59150612	WASHER D.6
16	4	30130601	NUT M6 ZINC.
17	1	44810265	GAS SPRING D.6 C=100
18	2	69160620	SCREW TCEI M6X20 ZINC.
19	2	69160630	SCREW TCEI M6X30 ZINC.
20	1	20100258	HEAD STOP
21	1	61900022	SX SUPPORT
22	1	61900027	DX SUPPORT
23	8	18061615	LATCH INSERT KU 16 15
24	2	17960002	LATCH D.10X20

**OPERATE RING GROUP COD. AZ000002**

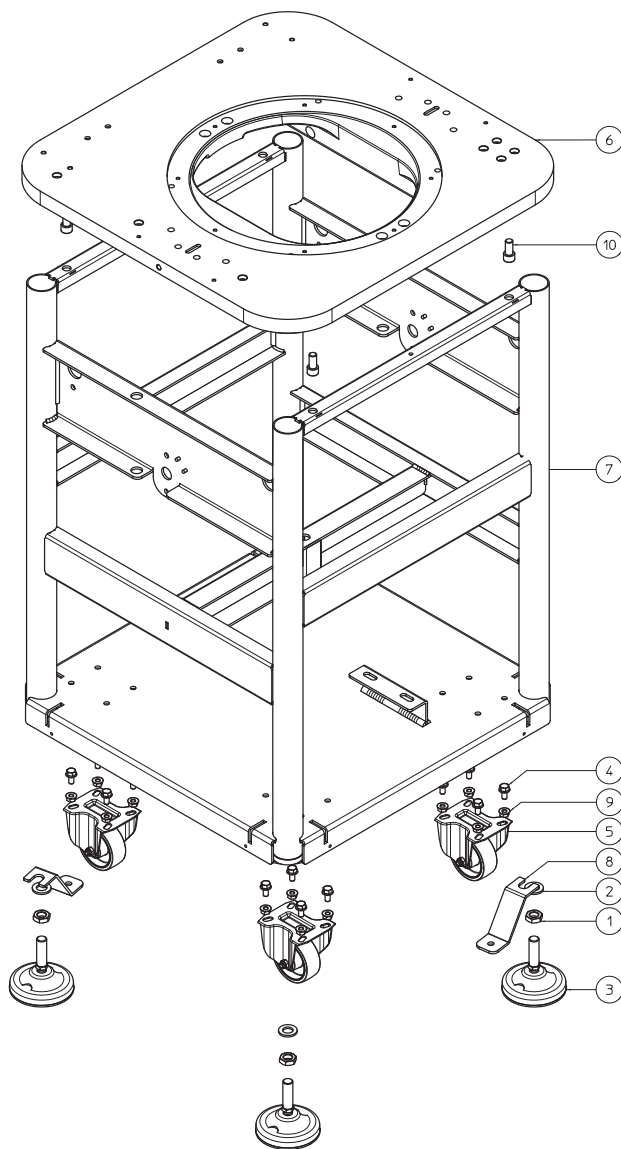


POSITION	QUANTITY	CODE	DESCRIPTION
1	2	14130016	SEGER RING D.16
2	1	14800012	LIFT RING ROD
3	1	18061615	LATCH INSERT KU 16 15
4	1	30040601	NUT M6 INOX
5	1	30040801	NUT M8 INOX
7	2	30100601	SELFLOCKING NUT M6 INOX.
8	1	37010610	SCREW STEI M610
9	1	37050650	SCREW STEI M6X50 INOX
10	1	39120002	SLIDING SHOE 12X12X45
11	1	42310024	LEVER LIFT RING
12	2	44836316	SPRING
13	1	49410020	PIN LEVER LIFT RING
15	1	59720003	PIN RING LEVER
16	1	63030830	PLUG D.8X30
17	1	69260835	SCREW TE M8X35 INOX
18	1	30080802	SELFLOCKING NUT M8 INOX.
19	1	59160816	WASHER D.8 INOX



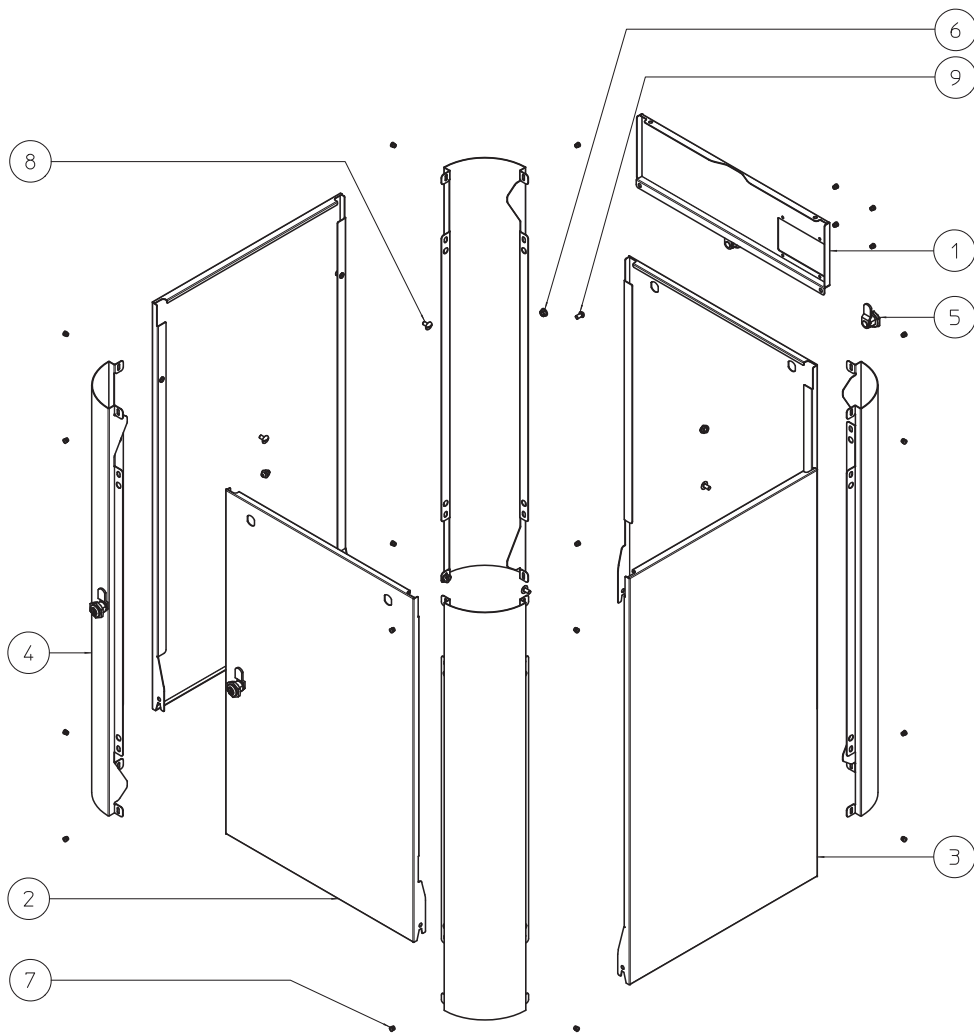
POSITION	QUANTITY	CODE	DESCRIPTION
1	1	30040801	NUT M8 INOX
2	1	59160816	WASHER D.8 INOX
3	1	69260830	SCREW TE M8X30 INOX
4	1	18064015	LATCH INSERT KU 40 15
5	2	18062030	LATCH INSERT KU 20 15
6	4	69281045	SCREW TCEI M10X45 INOX
7	4	69170820	SCREW TCEI M8X20 ZINC.
8	1	49450002	HEAD PLATE
9	4	14800007	ROD GUIDE D.16X180
10	2	69161045	SCREW TCEI M10X45 ZINC.

**FRAME GROUP COD. TL000005**



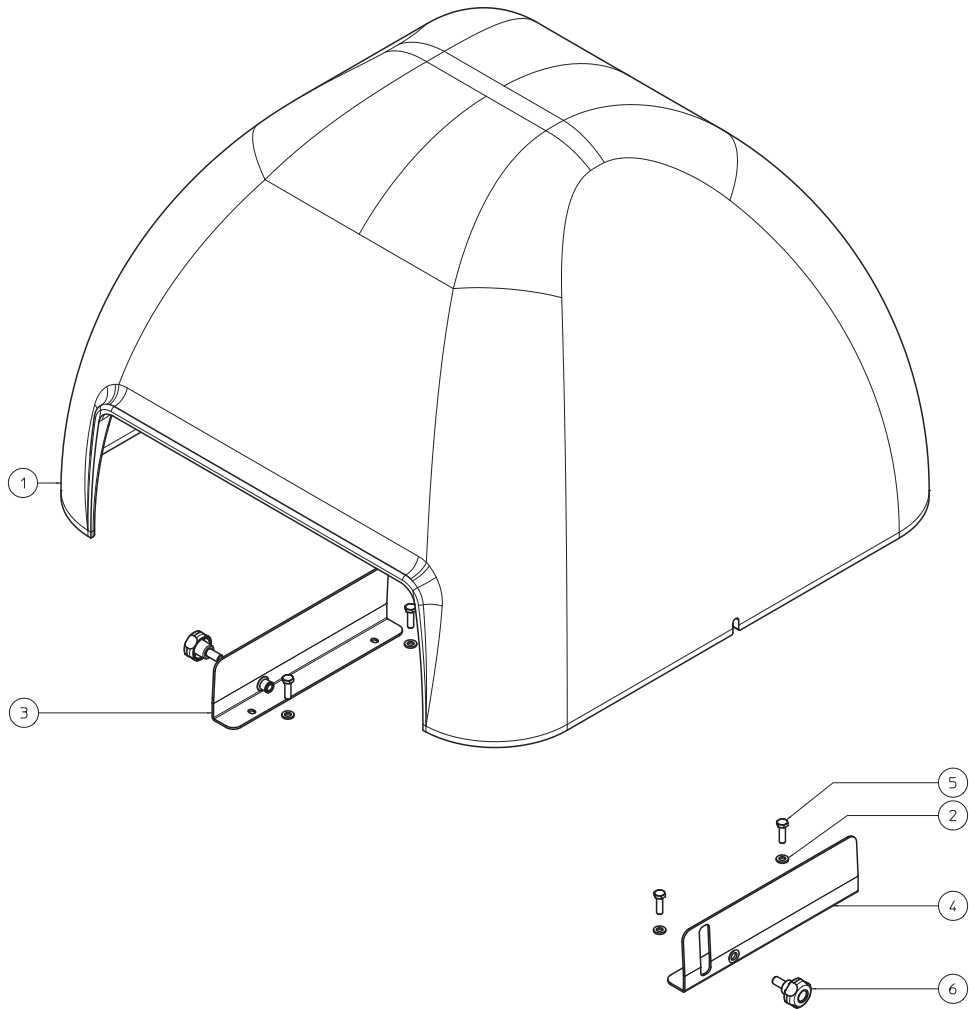
POSITION	QUANTITY	CODE	DESCRIPTION
1	4	30141601	NUT M16 ZINC.
2	4	59151630	WASHER D.16 ZINC.
3	4	50050903	NON-SLIP FOOT
4	16	69230816	SCREW TE M8X16 ZINC.
5	4	59860014	WHEEL D.80X30 FIX
6	1	35200001	AUTOMATIC HEAD PLATE
7	1	60010041	FRAME
8	2	61880005	FIXING BRACKET
9	16	30210801	NUT M8 ZINC.
10	4	69161225	SCREW TCEI M12X45 ZINC.



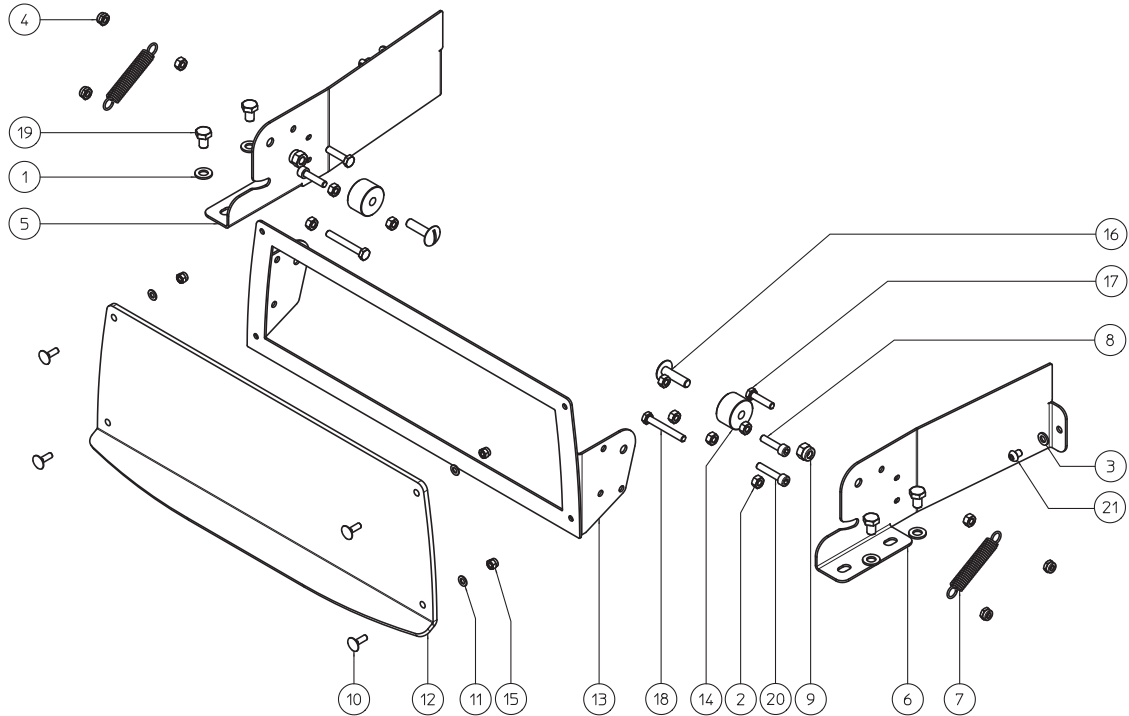


POSITION	QUANTITY	CODE	DESCRIPTION
1	1	20120299	POWER SUPPLY PANNEL
2	2	20120296	REMOVABLE PANNEL
3	2	20120305	LATERAL PANNEL
4	4	20120297	ANGULAR PANNEL
5	4	22803621	LOCK
6	4	30190601	NUT M6 ZINC.
7	20	58250410	ALUMINUM RIVET
8	4	69100612	SCREW POELIERS M6X12 ZINC.
9	4	69180612	SCREW TCBEI M6X12 ZINC.

**HEAD SAFTY GROUP COD. RP000001**

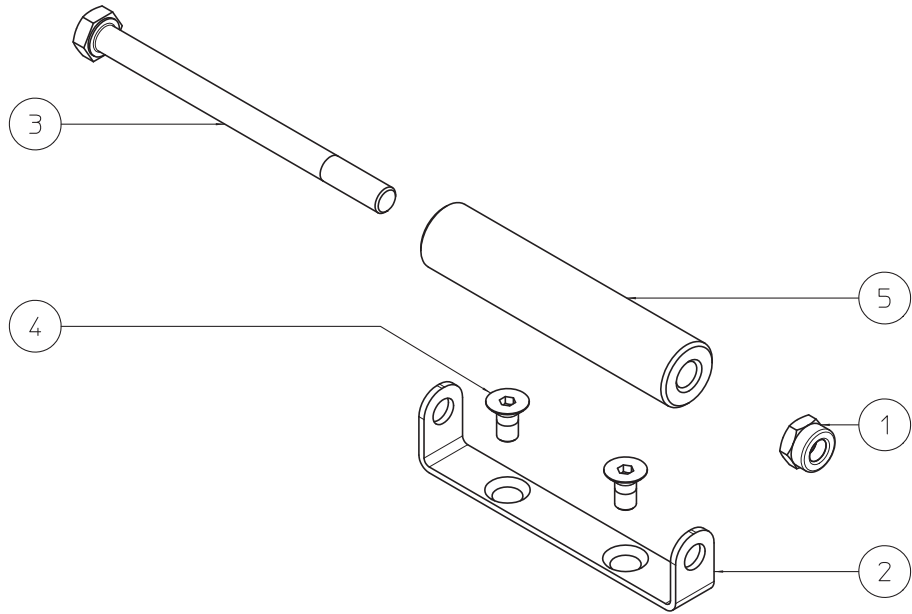


POSITION	QUANTITY	CODE	DESCRIPTION
1	1	65610002	HEAD COVER
2	4	59150612	WASHER D.16 ZINC.
3	1	61880007	SX BRACKET
4	1	61880008	DX BRACKET
5	4	69200620	SCREW TE M6X20 ZINC.
6	2	69410002	HANDWHEEL M8X16

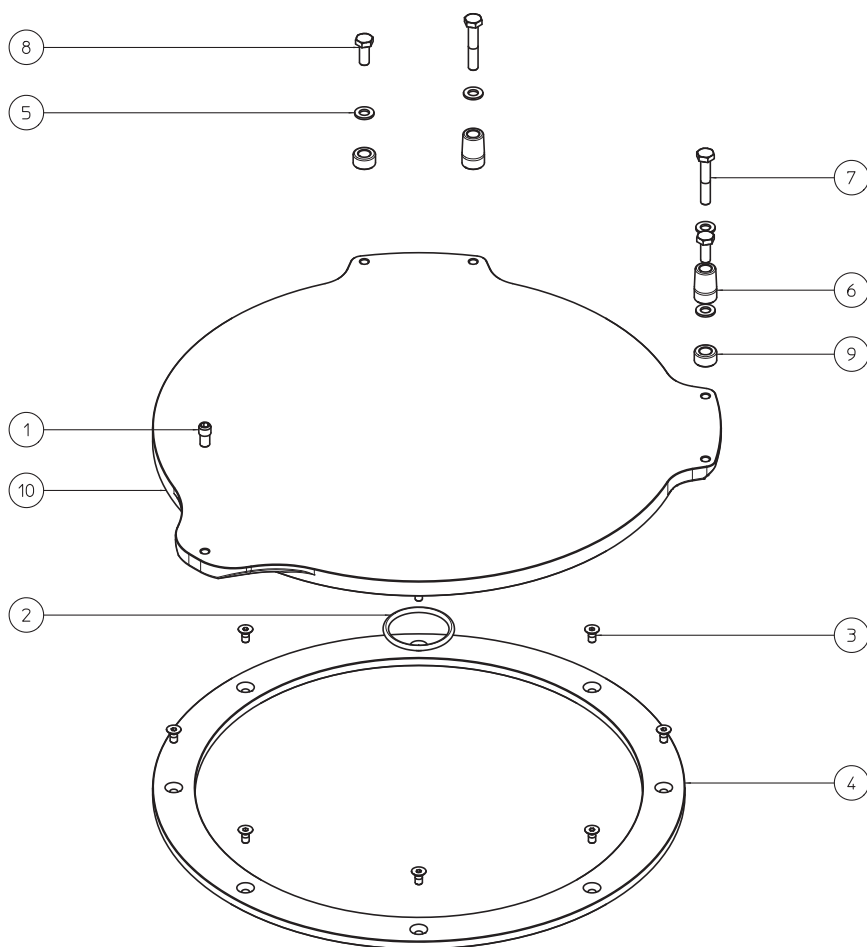


POSITION	QUANTITY	CODE	DESCRIPTION
1	4	59160816	WASHER D.8 INOX
2	10	30040601	NUT M6 INOX
3	2	59150612	WASHER D.6 ZINC.
4	4	30100601	SELFLOCKING NUT M6 INOX.
5	1	20120293	SX BRACKET
6	1	20120292	DX BRACKET
7	2	44836916	SPRING
8	2	69280625	SCREW TCEI M6X25 INOX
9	2	30080802	SELFLOCKING NUT M8 INOX.
10	4	69250516	WASHER TTQ M5X16 INOX
11	4	59160510	WASHER D.5 INOX
12	1	50780002	SAFETY PROTECTION CARTER
13	1	60230002	FRAME PROTECTION CARTER
14	2	58930001	WASHER
15	4	30100501	SELFLOCKING NUT M5 INOX.
16	2	69110830	SCREW POELIERS M8X30 INOX
17	2	69260625	SCREW TE M6X25 INOX
18	2	69260645	SCREW TE M6X45 INOX
19	4	69260812	SCREW TE M8X12 INOX
20	1	69280630	SCREW TCEI M6X30 INOX
21	2	69290608	SCREW TCBEI M6X8 INOX

**ROLLER SUPPORT GROUP COD. CM000004**

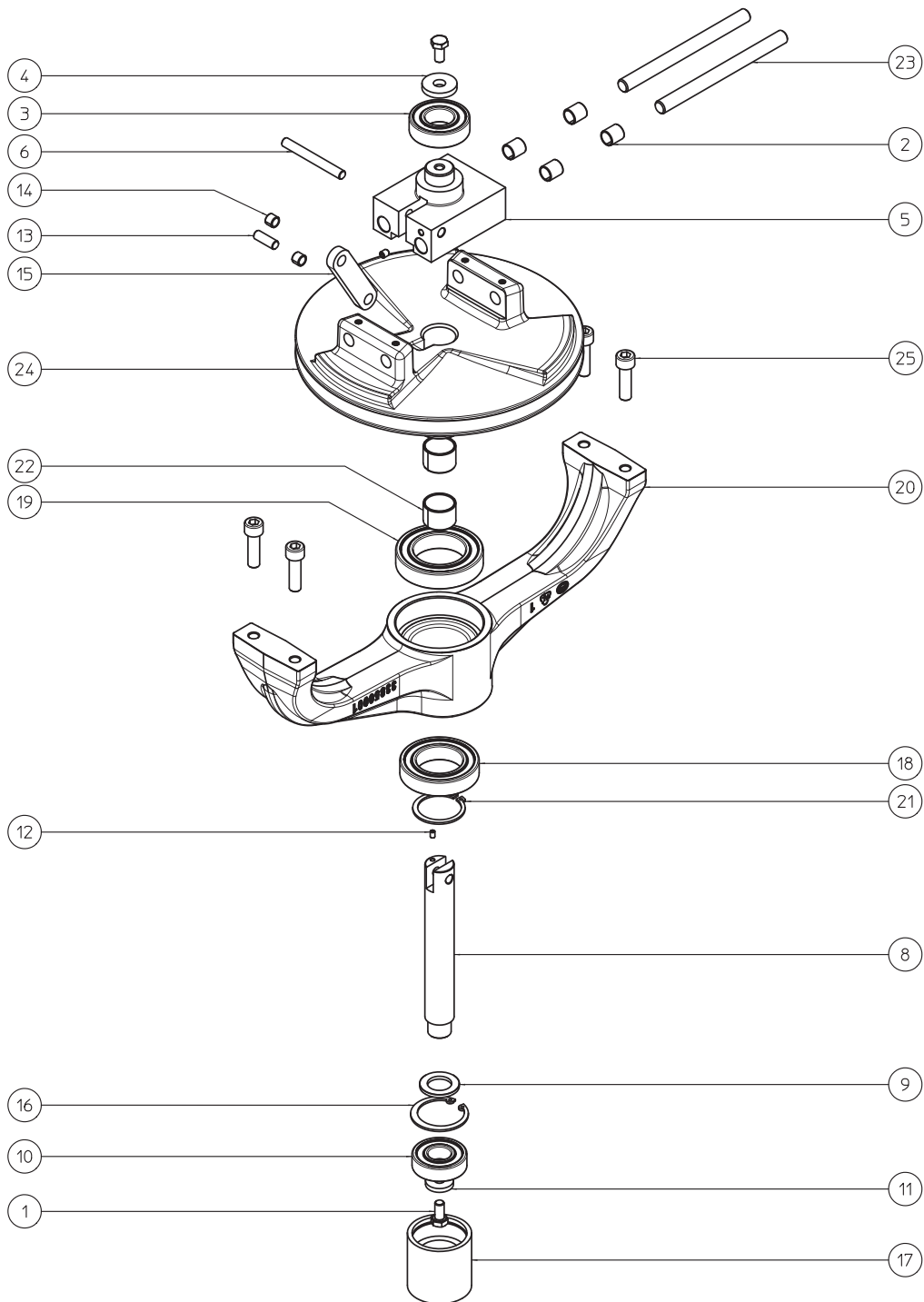


POSITION	QUANTITY	CODE	DESCRIPTION
1	1	30100801	SELFLOCKING NUT M8 INOX.
2	1	20120316	ROLLER SUPPORT
3	1	69260811	SCREW TE M8X110 INOX
4	2	69270612	SCREW TSPEI M6X12 INOX
5	1	59650001	ROLLER



POSITION	QUANTITY	CODE	DESCRIPTION
1	1	69010002	PIN
2	1	38696200	SEAL OR 6200
3	8	69240612	SCREW TSPEI M6X12 ZINC.
4	1	50850022	RING
5	4	59160816	WASHER D.8 INOX
6	2	59720016	STOPPER
7	2	69260845	SCREW TE M8X45 INOX
8	2	69260820	SCREW TE M8X20 INOX
9	2	59720017	STOPPER
10	1	49450001	ROUNDING PLATE

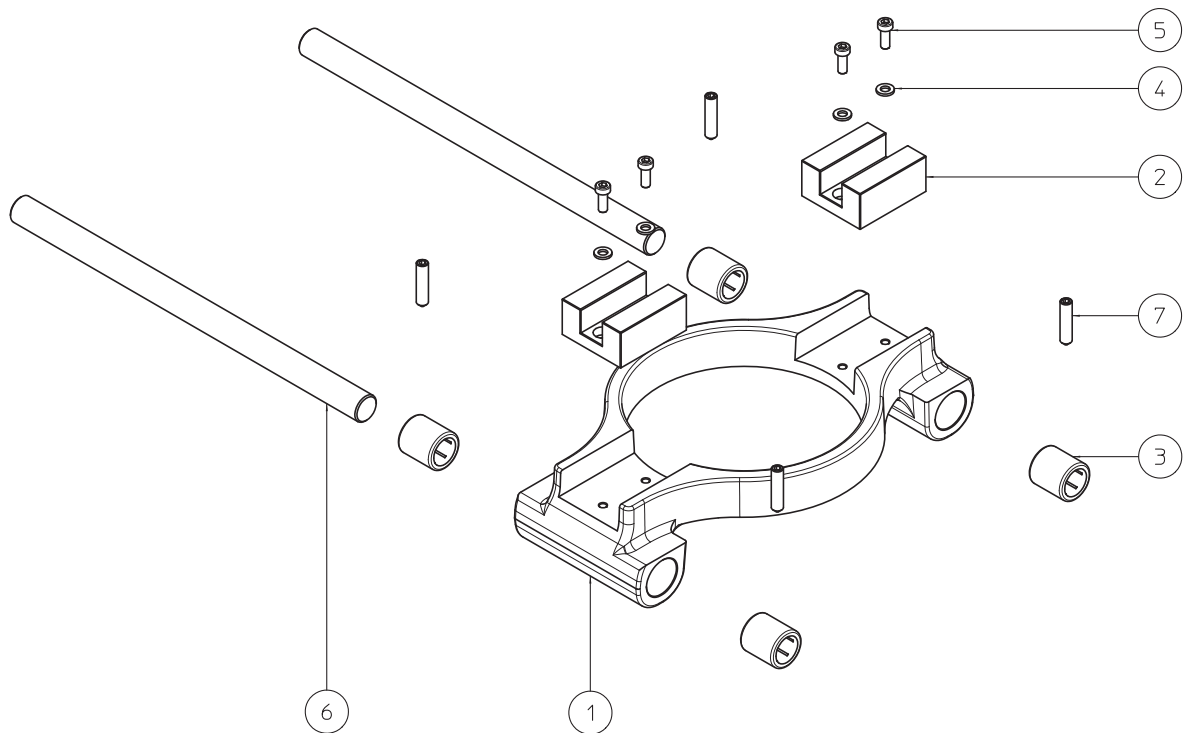
**AUTOMATIC PULLEY GROUP COD. PL000001**





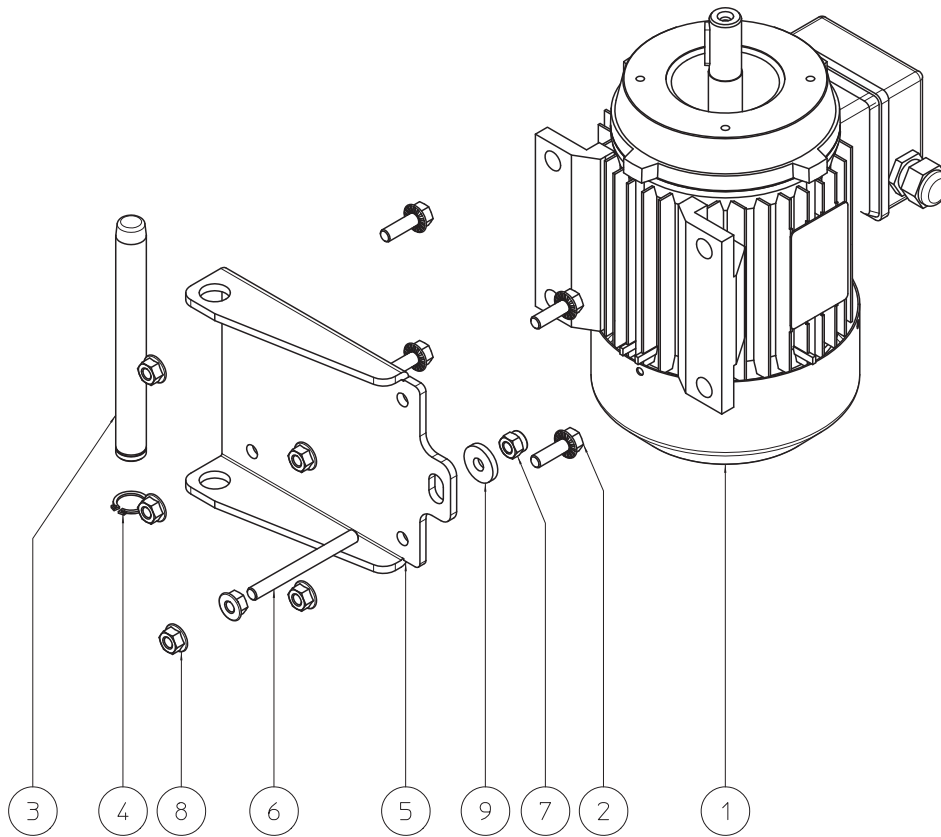
POSITION	QUANTITY	CODE	DESCRIPTION
1	2	69200816	SCREW TE M8X16 ZINC.
2	4	18061215	LATCH INSERT KU 12 15
3	1	29292552	BEARING NTN 6205 2RS
4	1	59091030	WASHER D.10X30 SP. 5 ZINC.
5	1	20140002	CAM SCROLLING FLANGE
6	1	49410870	TOP PIN D.8X70
7	5	37010606	SCREW STEI M6X6
8	1	11800001	CAM CONTROL PIN
9	1	20100422	WASHER
10	1	29292047	BEARING NTN 6204 2RS
11	1	59090824	WASHER D.8X24 SP. 4
12	1	37010406	SCREW STEI M4X6
13	1	49410824	LOWER PIN D.8X23
14	2	18060808	LATCH INSERT KU 08 08
15	1	16500001	CONNECTING ROD
16	1	14120047	SEEGER RING D.47
17	1	33800016	CYLINDER FLANGE
18	1	29294068	BEARING NTN 6008 2RS
19	1	29294575	BEARING NTN 6009 2RS
20	1	33850001	FLANGE FOR PULLEY
21	1	14130040	SEEGER RING D.40
22	2	18062520	LATCH INSERT KU 25 20
23	2	11900014	PIN HOLDER D.12X150
24	1	53410003	PULLEY
25	4	69161035	SCREW TCEI M10X35 ZINC.

**SLIDING TROLLEY GROUP COD. CL000003**



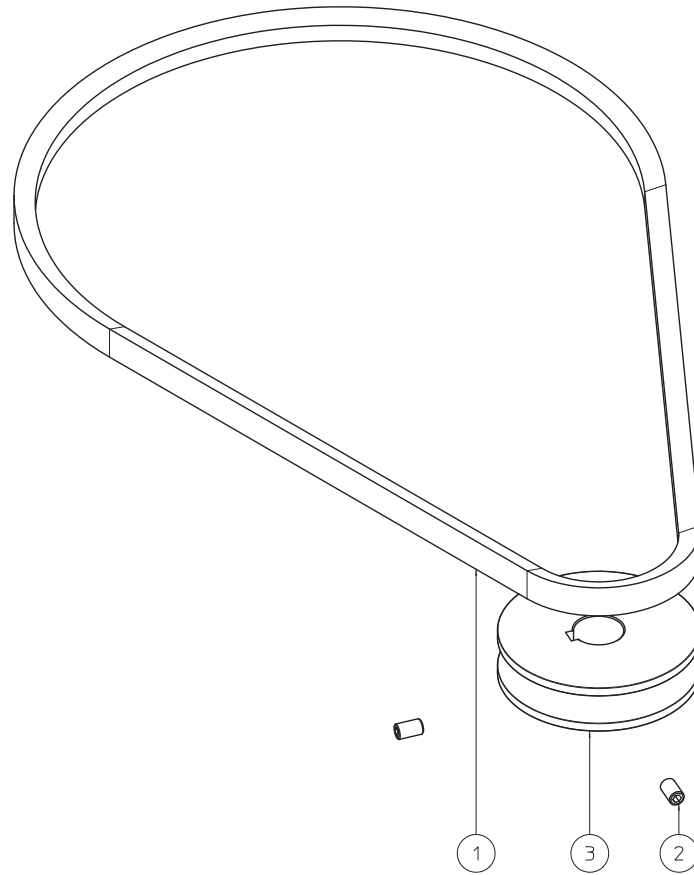
POSITION	QUANTITY	CODE	DESCRIPTION
1	1	20150002	SLIDING TROLLEY
2	2	37500002	SHOE GUIDE
3	4	43602030	SLIDING SLEEVE WITH SPHERES
4	4	59150612	WASHER D.6 ZINC.
5	4	69170616	SCREW TCEI M6X16 ZINC.
6	2	11900015	PIN HOLDER
7	4	37030835	SCREW STEI M8X35



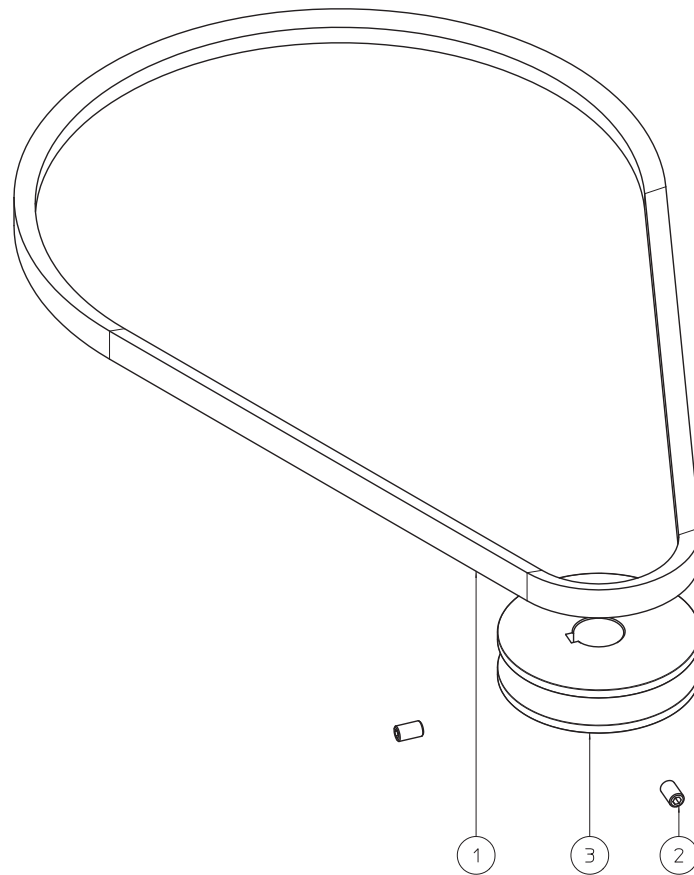


POSITION	QUANTITY	CODE	DESCRIPTION
1	1	45205580	MOTOR KW 0,55 6 POLI B3 220/380/50/60 (STANDARD) THREE PHASES
1	1	45120003	MOTOR KW 0,45 6 POLI B3 220/60 UL/CSA MONO PHASES
1	1	45150003	MOTOR KW 0,45 6 POLI B3 110/60 UL/CSA MONO PHASES
1	1	45225580	MOTOR KW 0,55 6 POLI B3 220/380/60 UL/CSA THREE PHASES
2	4	69230825	SCREW TE M8X25 ZINC.
3	1	49410005	MOTOR PIN
4	1	14130018	SEEGER RING D.18
5	1	20120221	MOTOR FIXING SHELF
6	1	14870895	THREADED BAR M8X85 ZINC.
7	1	30080801	NUT M8 ZINC.
8	6	30210801	NUT M8 ZINC.
9	1	59090824	WASHER D.8X24 SP. 4

**50 Hz PULLEY GROUP COD. PL000005**

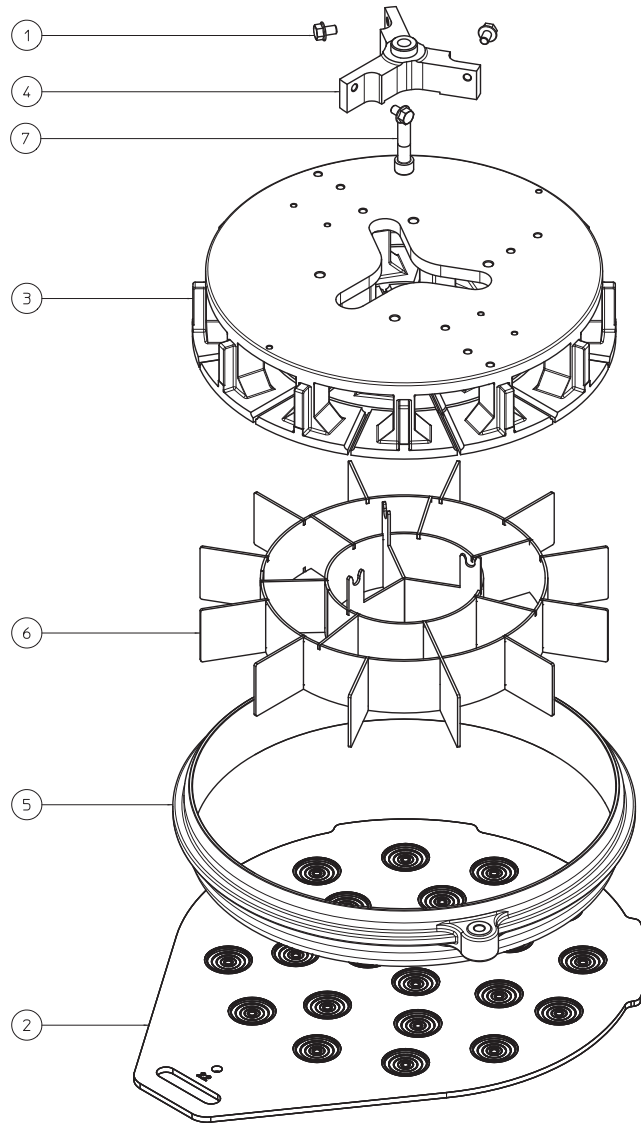


POSITION	QUANTITY	CODE	DESCRIPTION
1	1	24100037	BELT A37 1/2
2	2	37010610	SCREW STEI M6X10
3	1	53410004	PULLEY 71X1A (50 Hz)

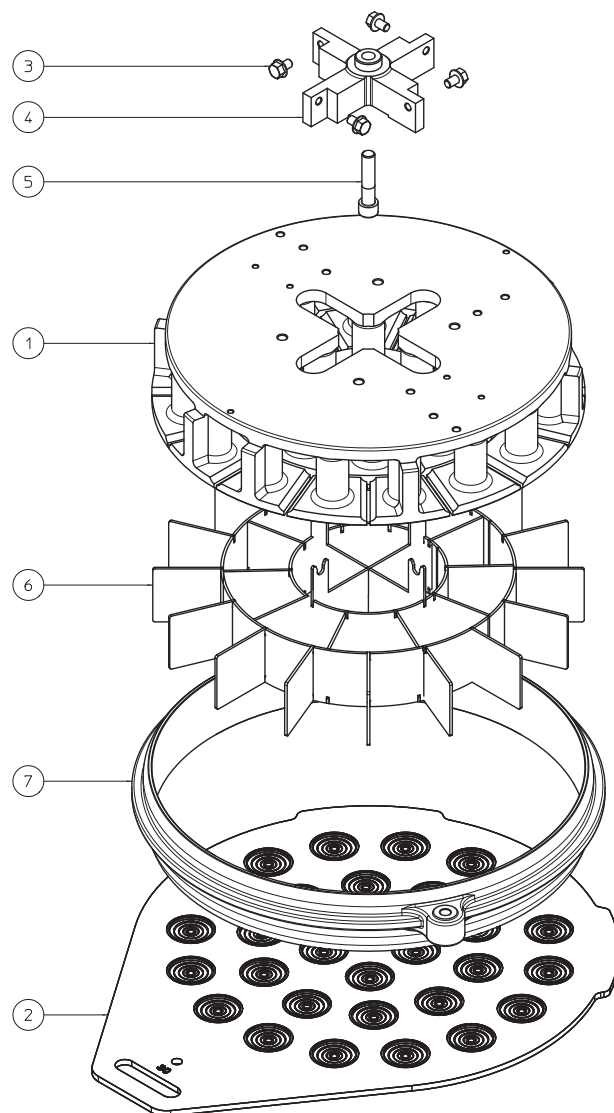


POSITION	QUANTITY	CODE	DESCRIPTION
1	1	24100037	BELT A37 1/2
2	2	37010610	SCREW STEI M6X10
3	1	53410002	PULLEY 60X1A (60 Hz)

22 DIV. KNIFE GROUP **COD. TG000004**

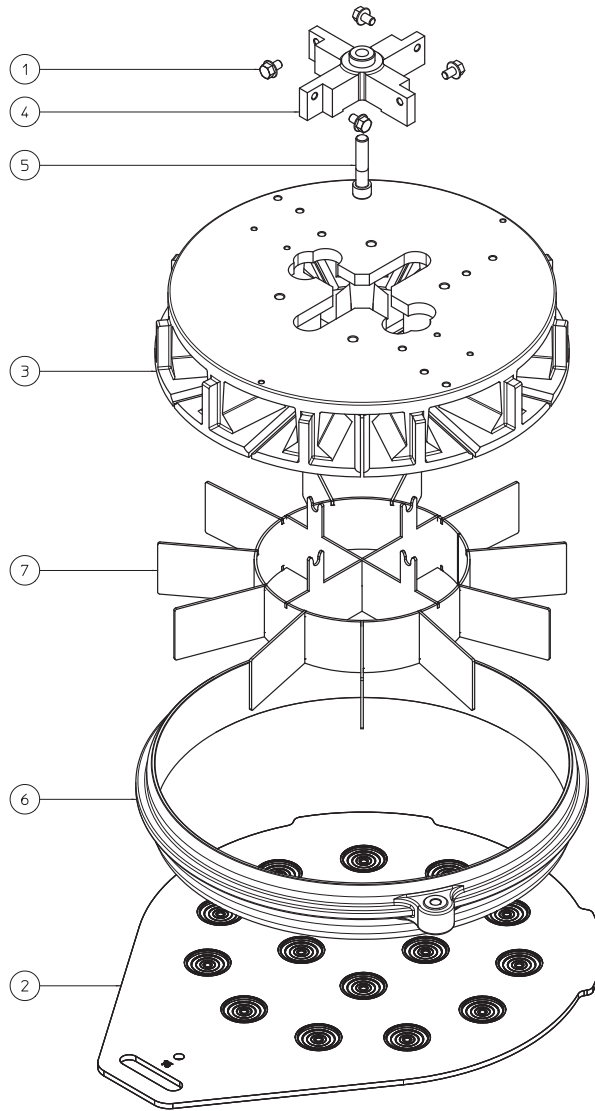


POSITION	QUANTITY	CODE	DESCRIPTION
1	3	69210812	SCREW TE M8X12 ZINC.
2	3	49800022	PLATE 22 DIV.
3	1	65200022	HEAD 22 DIV.
4	1	61900007	SUPPORT
5	1	13900003	HEAD RING D.400
6	1	60040027	KNIFE 22 DIV.
7	1	69161250	SCREW TCEI M12X50 ZINC.

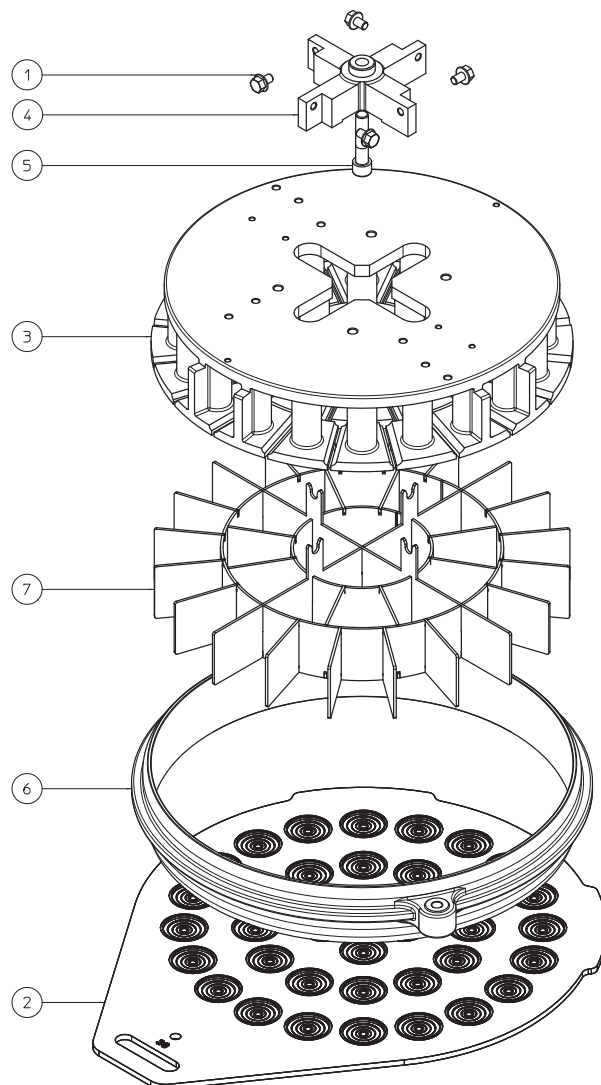


POSITION	QUANTITY	CODE	DESCRIPTION
1	1	65200030	HEAD 30 DIV.
2	3	49800030	PLATE 30 DIV.
3	4	69210812	SCREW TE M8X12 ZINC.
4	1	61900005	SUPPORT
5	1	69161250	SCREW TCEI M12X50 ZINC.
6	1	60040029	KNIFE 30 DIV.
7	1	13900003	HEAD RING D.400

15 DIV. KNIFE GROUP **COD. TG000007**

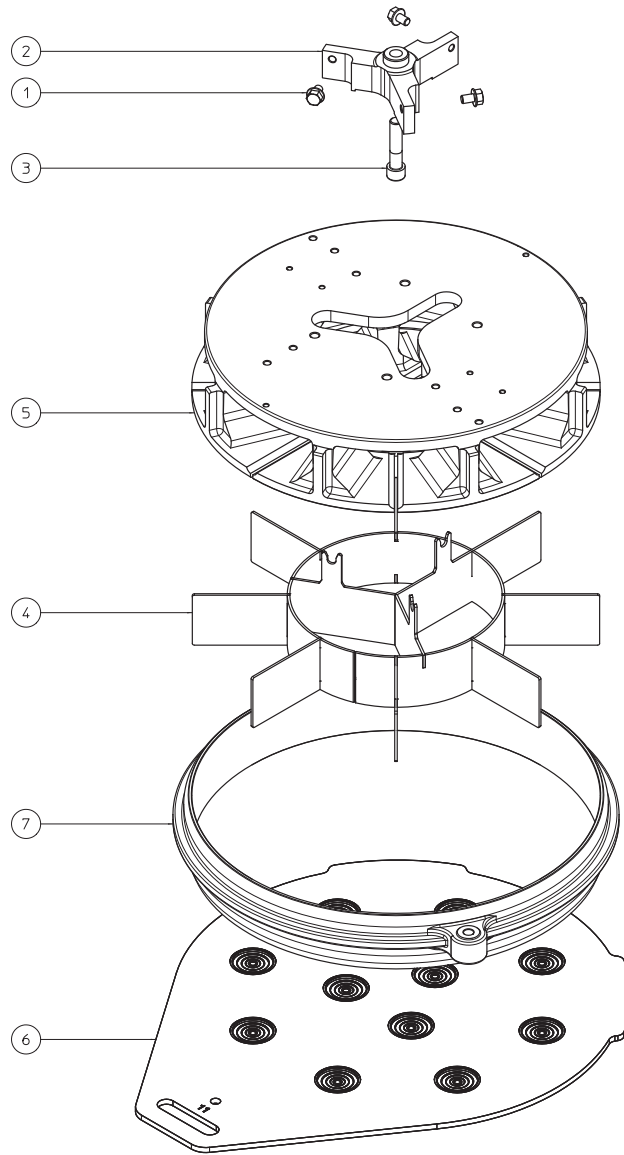


POSITION	QUANTITY	CODE	DESCRIPTION
1	4	69210812	SCREW TE M8X12 ZINC.
2	3	49800015	PLATE 15 DIV.
3	1	65200015	HEAD 15 DIV.
4	1	61900005	SUPPORT
5	1	69161250	SCREW TCEI M12X50 ZINC.
6	1	13900003	HEAD RING D.400
7	1	60040026	KNIFE 15 DIV.



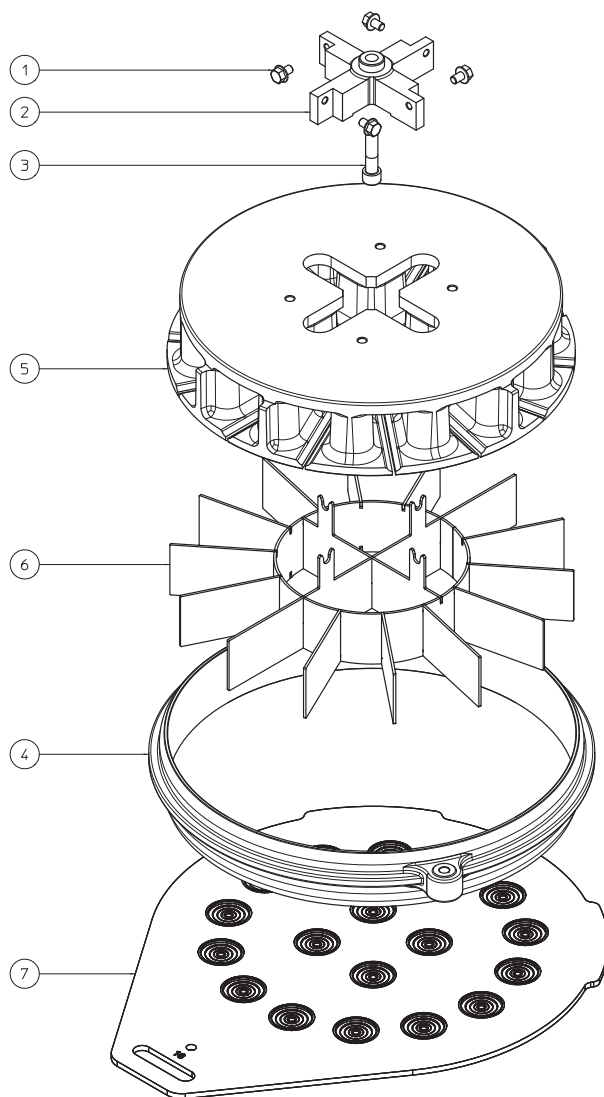
POSITION	QUANTITY	CODE	DESCRIPTION
1	4	69210812	SCREW TE M8X12 ZINC.
2	3	49800036	PLATE 36 DIV.
3	1	65200036	HEAD 36 DIV.
4	1	61900005	SUPPORT
5	1	69161250	SCREW TCEI M12X50 ZINC.
6	1	13900003	HEAD RING D.400
7	1	60040030	KNIFE 36 DIV.

11 DIV. KNIFE GROUP **COD. TG000015**



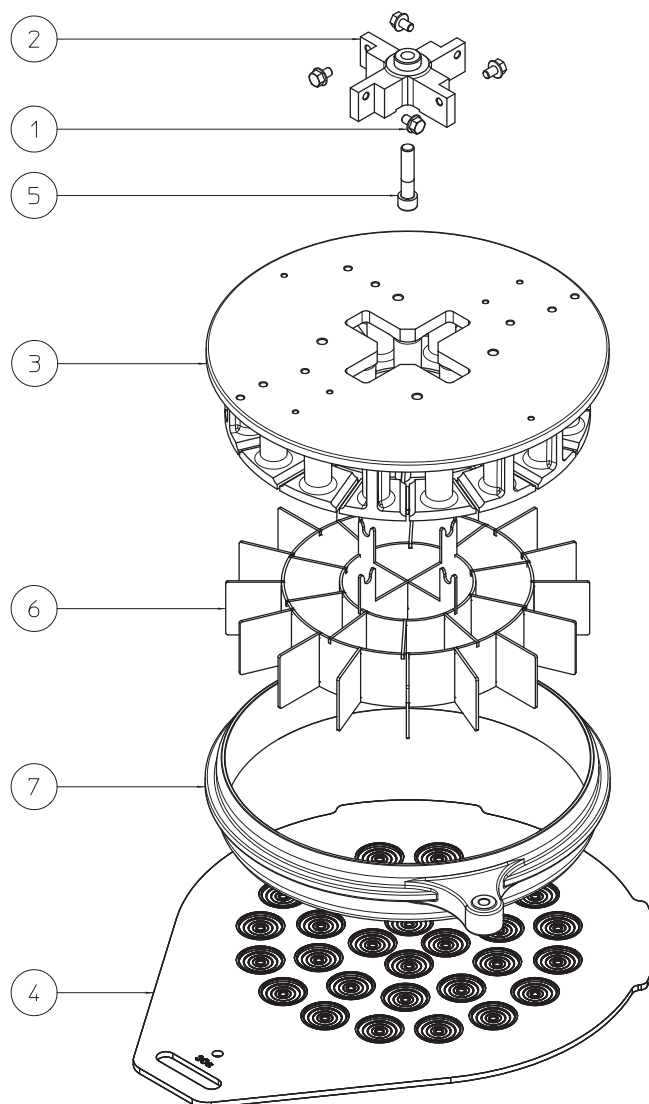
POSITION	QUANTITY	CODE	DESCRIPTION
1	3	69210812	SCREW TE M8X12 ZINC.
2	1	61900007	SUPPORT
3	1	69161250	SCREW TCEI M12X50 ZINC.
4	1	60040098	KNIFE 11 DIV.
5	1	65200011	HEAD 11 DIV.
6	3	49800011	PLATE 11 DIV.
7	1	13900003	HEAD RING D.400



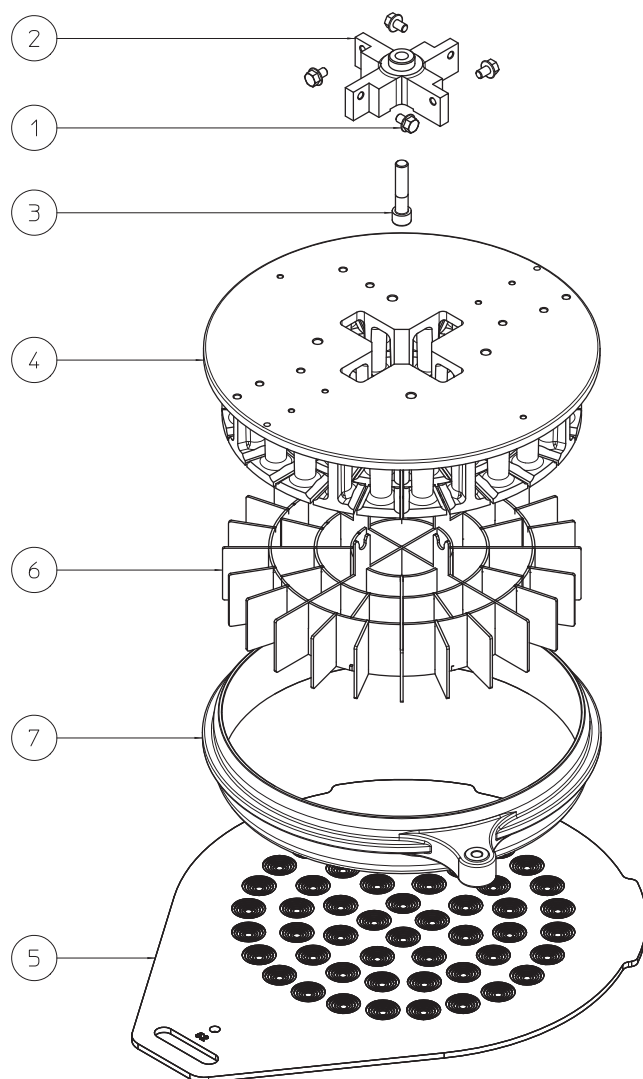


POSITION	QUANTITY	CODE	DESCRIPTION
1	4	69210812	SCREW TE M8X12 ZINC.
2	1	61900005	SUPPORT
3	1	69161250	SCREW TCEI M12X50 ZINC.
4	1	13900003	HEAD RING D.400
5	1	65200018	HEAD 18 DIV.
6	1	60040133	KNIFE 18 DIV.
7	3	49800018	PLATE 18 DIV.

30s DIV. KNIFE GROUP **COD. TG000011**

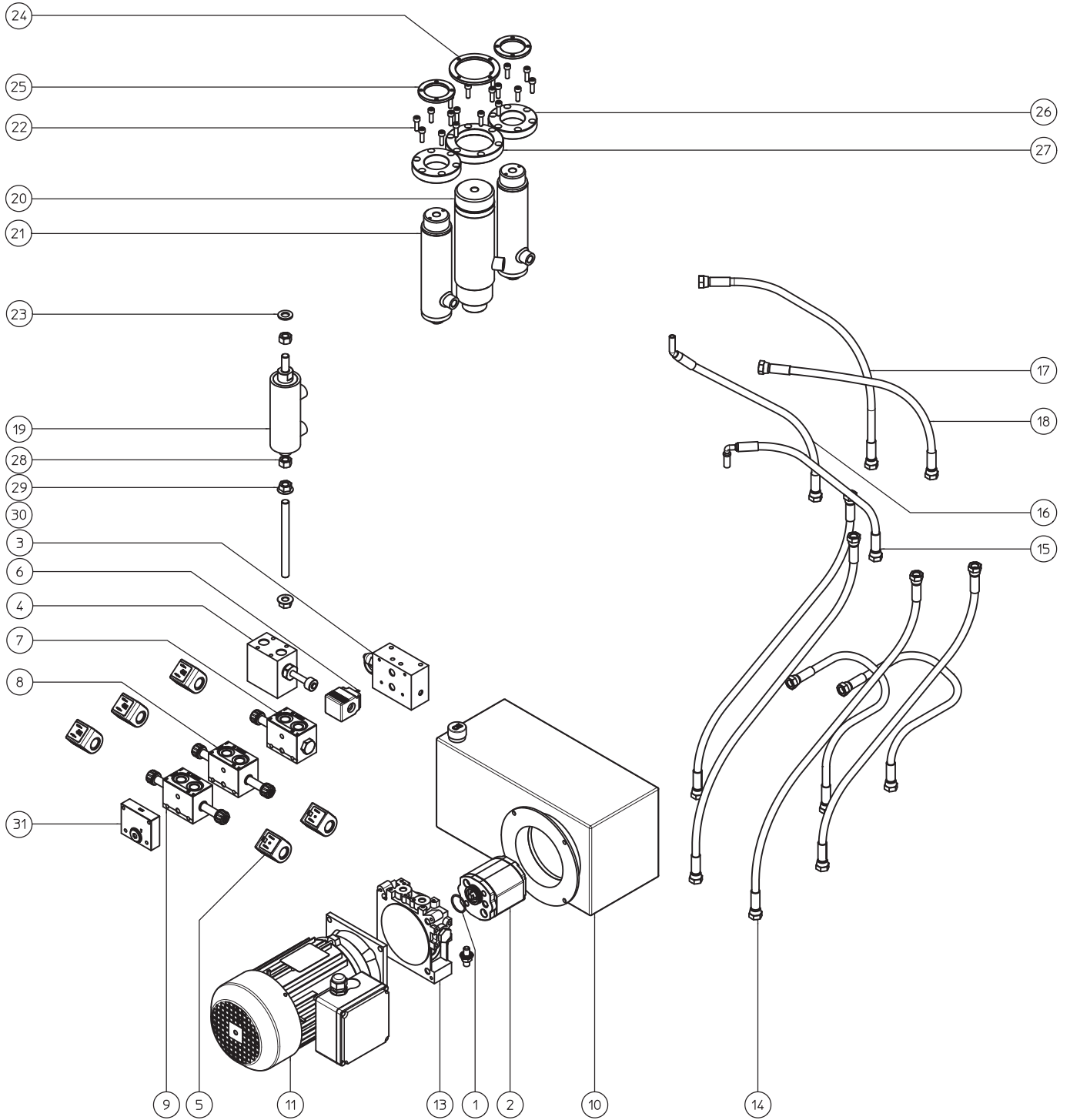


POSITION	QUANTITY	CODE	DESCRIPTION
1	4	69210812	SCREW TE M8X12 ZINC.
2	1	61900006	SUPPORT
3	1	65200130	HEAD 30s DIV.
4	3	49800130	PLATE 30s DIV.
5	1	69161250	SCREW TCEI M12X50 ZINC.
6	1	60040028	KNIFE 30s DIV.
7	1	13900004	HEAD RING D.340



POSITION	QUANTITY	CODE	DESCRIPTION
1	4	69210812	SCREW TE M8X12 ZINC.
2	1	61900006	SUPPORT
3	1	69161250	SCREW TCEI M12X50 ZINC.
4	1	65200052	HEAD 52 DIV.
5	3	49800052	PLATE 52 DIV.
6	1	60040031	KNIFE 52 DIV.
7	1	13900004	HEAD RING D.340

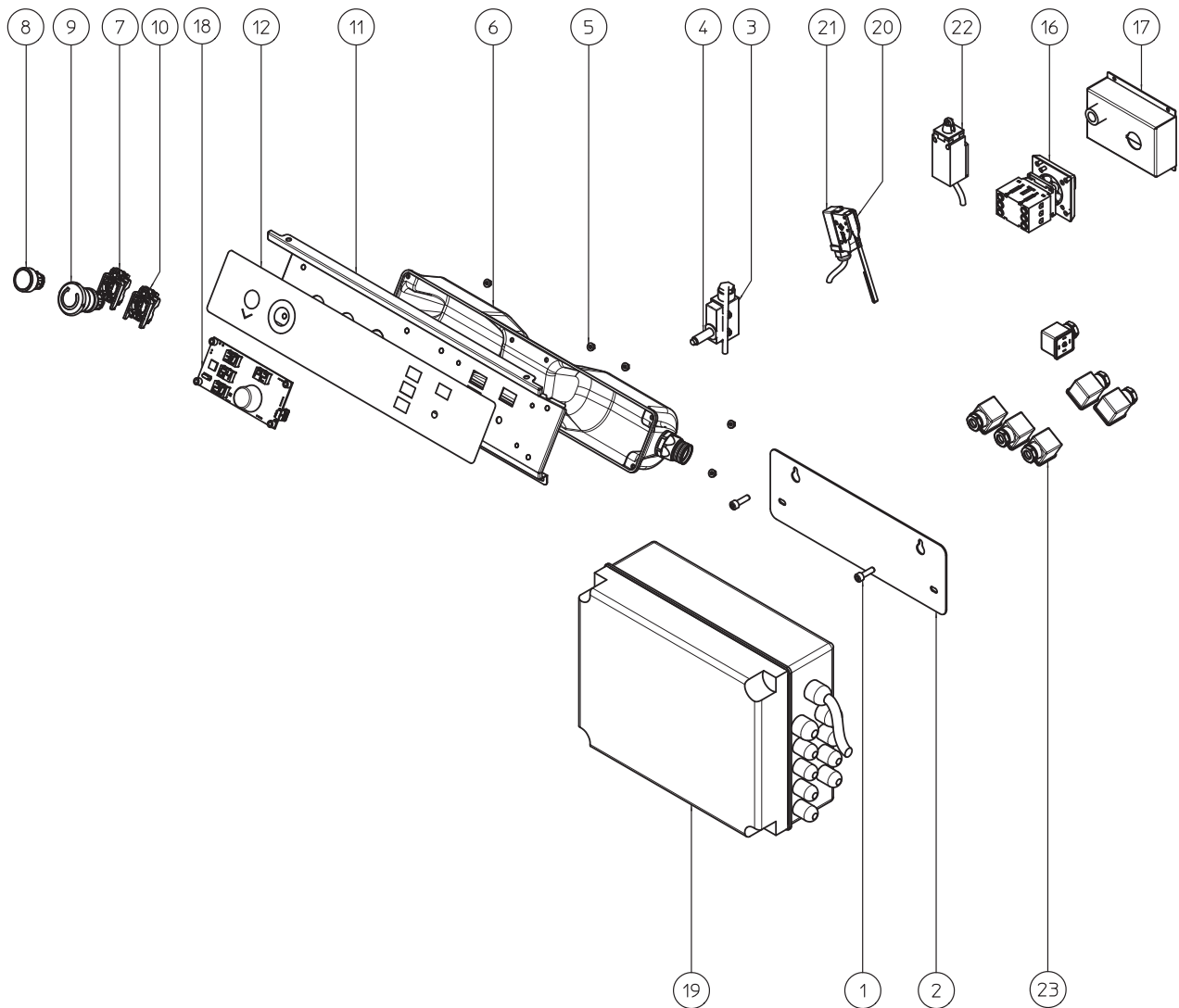
**HYDRAULIC GROUP**



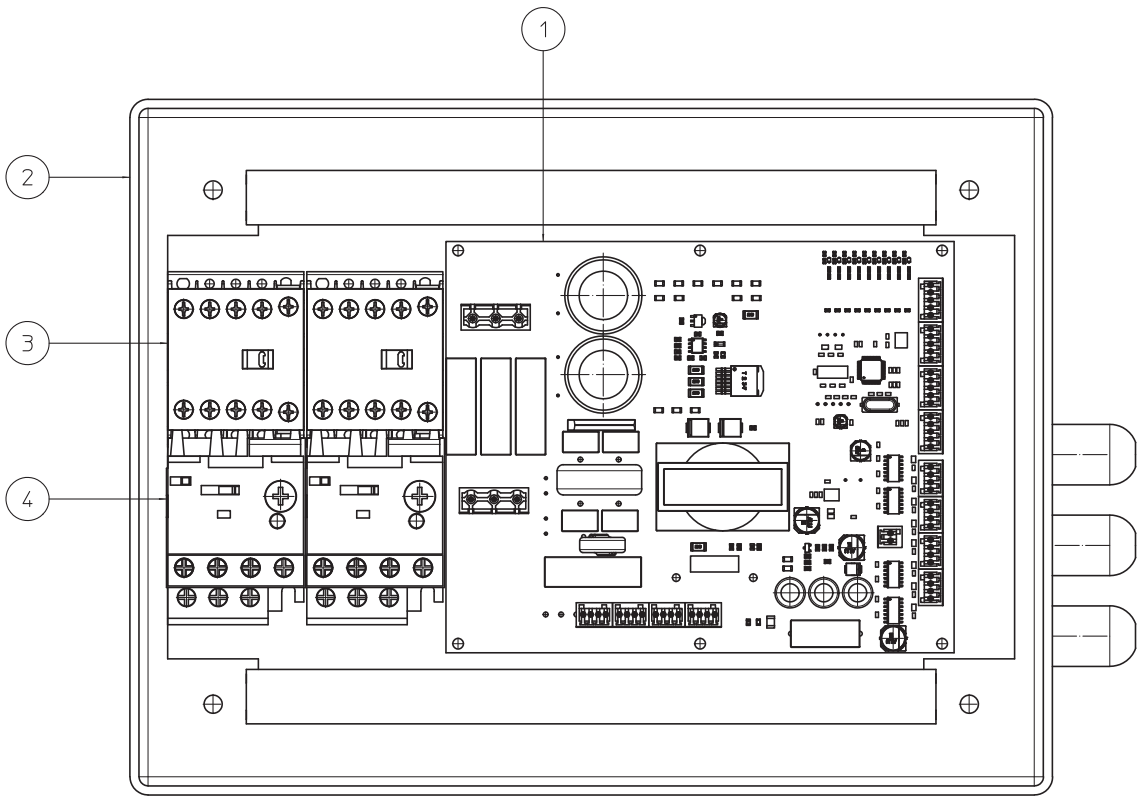


POSITION	QUANTITY	CODE	DESCRIPTION
1	1	38693106	OR SEAL 3106
2	1	50970002	PUMP MOD. K1P D 15 G P199
2	1	50970003	PUMP MOD. "T" PHC 1—6,0 X MC (MOTOR MONOPHASE)
3	1	28320002	INTERFACE BLOCK
4	1	28320005	KNIFE BLOCK
5	5	17500001	COIL A0924DDC STANDARD
5	5	17500004	COIL A0924VDC-27W M UL
6	2	17500003	COIL 24VDC - 22W CRD01/02 (M) STANDARD
6	2	17500005	COIL 24VDC-EC360 22W UL
7	1	31770006	PARALLEL COMPONIBLE DISTRIBUTOR 3/8"
8	1	31770007	PARALLEL COMPONIBLE DISTRIBUTOR 3/8"
9	1	31770008	PARALLEL COMPONIBLE DISTRIBUTOR 3/8" P-T BLIND
10	1	60060004	OIL TANK
11	1	45200002	MOTOR THREE PHASES 230-400/3/50-60 STANDARD
11	1	45220002	MOTOR THREE PHASES UL 230/3/60
11	1	45120002	MOTOR MONOPHASE UL 230/1/60
11	1	45150002	MOTOR MONOPHASE UL 110/1/60
13	1	28320006	HYDRAULIC BODY
14	6	66950021	PIPE R7 1/4" FD+FD L=700
15	1	66950022	PIPE R7 1/4" FD+COD. 10 90° L=450
16	1	66950023	PIPE R7 1/4" FD+COD. 10 45° L=500
17	1	66950024	PIPE R7 1/4" FD+FD L=600
18	1	66950025	PIPE R7 1/4" FD+FD L=500
19	1	23700006	ROUNDING HYDRAULIC CYLINDER
20	1	23700009	KNIFE HYDRAULIC CYLINDER
21	2	23700011	PRESS HYDRAULIC CYLINDER
22	18	69160620	SCREW TCEI M6X20 ZINC.
23	1	59151224	WASHER D.12 ZINC.
24	1	35480002	LOCKING RING NUT FOR THE CUTTING CYLINDER
25	2	35480001	LOCKING RING NUT FOR THE PRESSED CYLINDER
26	2	33800021	FLANGE FOR THE PRESSED CYLINDER
27	1	33800020	FLANGE FOR THE CUTTING CYLINDER
28	2	30131201	NUT M12 ZINC.
29	2	30211201	NUT M12 ZINC.
30	1	14860026	ROD FOR THE ROUNDING CYLINDER
31	1	28320004	BLOCK FU31

## ELECTRICAL GROUP

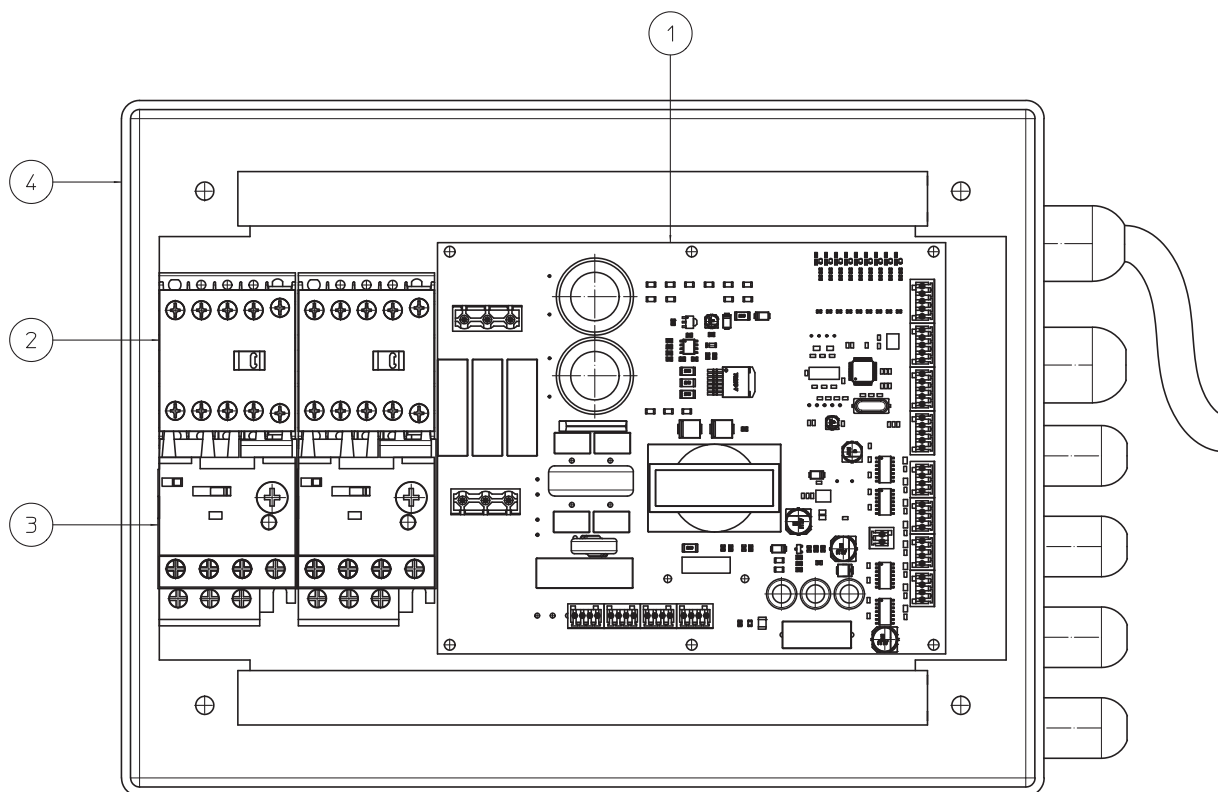


POSITION	QUANTITY	CODE	DESCRIPTION
1	2	69160620	SCREW TCEI M6X20 ZINC.
2	1	20100417	FIXING PLATE
3	1	53800029	SWITCHES COVER
4	1	60710005	SWITCHES
5	6	30190401	NUT M4 ZINC.
6	1	65610001	CONTROL PANEL REAR COVER
7	1	53800009	GREEN START BUTTON SUPPORT
8	1	53800010	GREEN START BUTTON
9	1	53800001	EMERGENCY STOP BUTTON
10	1	53800014	EMERGENCY STOP BUTTON SUPPORT
11	1	20120304	CONTROL PANEL PLATE
12	1	60850002	SERIGRAPHY
13	2	59160408	WASHER D.4
14	2	30040401	NUT M4 INOX
15	2	69290430	SCREW TCBEI M4X30 INOX
16	1	53800033	MAIN SWITCH
17	1	20120324	POWER SUPPLY COVER
18	1	49200023	PLC BOARD PANEL
19	1	53800051	PLASTIC ELECTRICAL BOX (STANDARD)
19	1	53800045	PAINTED STEEL ELECTRICAL BOX (UL)
20	1	53800036	MICRO SWITCH
21	1	53800037	SWITCHES COVER
22	1	60710002	LIMIT MICRO SWITCH
23	6	25300002	ELECTRICAL CONNECTOR CNT 182 PG09 H12



POSITION	QUANTITY	CODE	DESCRIPTION
1	1	49200026	PC BOARD FOR AUTOMATIC DIVIDER ROUNDER
2	2	65050001	CONTACTOR
3	1	66000017	THERMAL OVERLOAD 10/14 A - 110 V 1 PH
3	1	66000018	THERMAL OVERLOAD 5,5/8 A - 230 V 1 PH
3	1	66000005	THERMAL OVERLOAD 3,7/5,5 A - 230 V 3 PH
4	1	53800045	PAINTED STEEL ELECTRICAL BOX (UL)

**ELECTRICAL BOX STANDARD**



POSITION	QUANTITY	CODE	DESCRIPTION
1	1	49200026	PC BOARD FOR AUTOMATIC DIVIDER ROUNDER
2	2	65050001	CONTACTOR
3	1	66000004	THERMAL OVERLOAD 1,8/2,6 A - 400 V 3 PH
3	1	66000005	THERMAL OVERLOAD 3,7/5,5 A - 230 V 3 PH
4	1	53800051	PLASTIC ELECTRICAL BOX (STANDARD)







All machines are in conformity with EC regulations and are manufactured in Italy.